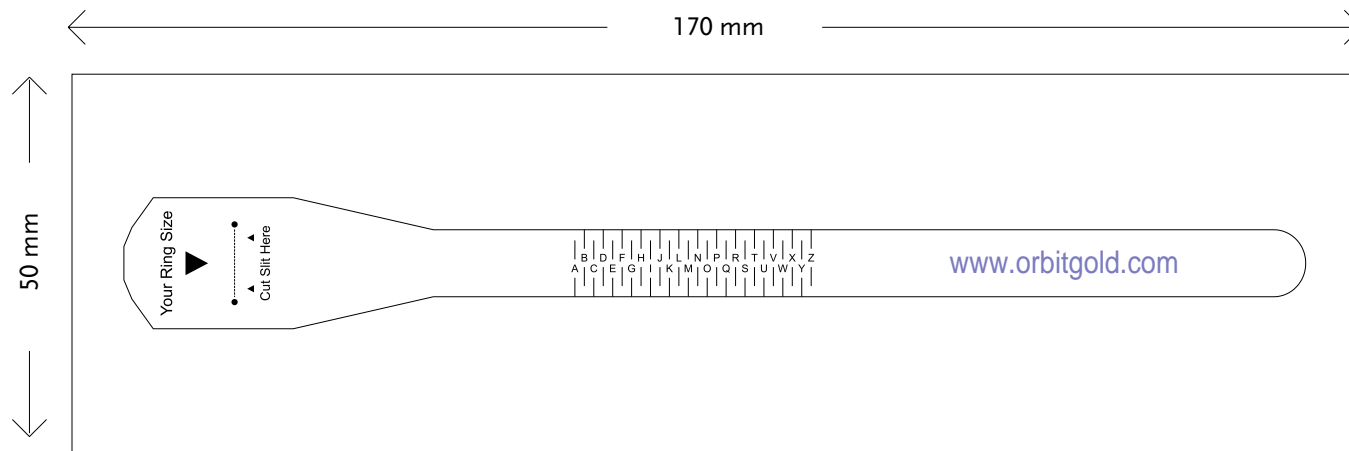


## How to measure your ring size

- 1 Print this document at 100% size. Please make sure the options to fit or shrink to page are not selected in your print window.
- 2 Measure the outer box with a ruler to ensure it matches the dimensions marked.
- 3 Cut out the sizer around the outline and cut a slit where indicated. Push the end through the slit to make a ring shape and slip it around your finger.
- 4 Adjust until you have a comfortable fit that slides easily over the knuckle. The letter indicated by the arrow is your ring size.



## Please note:

Do not pull the sizer tightly. Make sure you are able to slide the sizer on and off your finger comfortably.